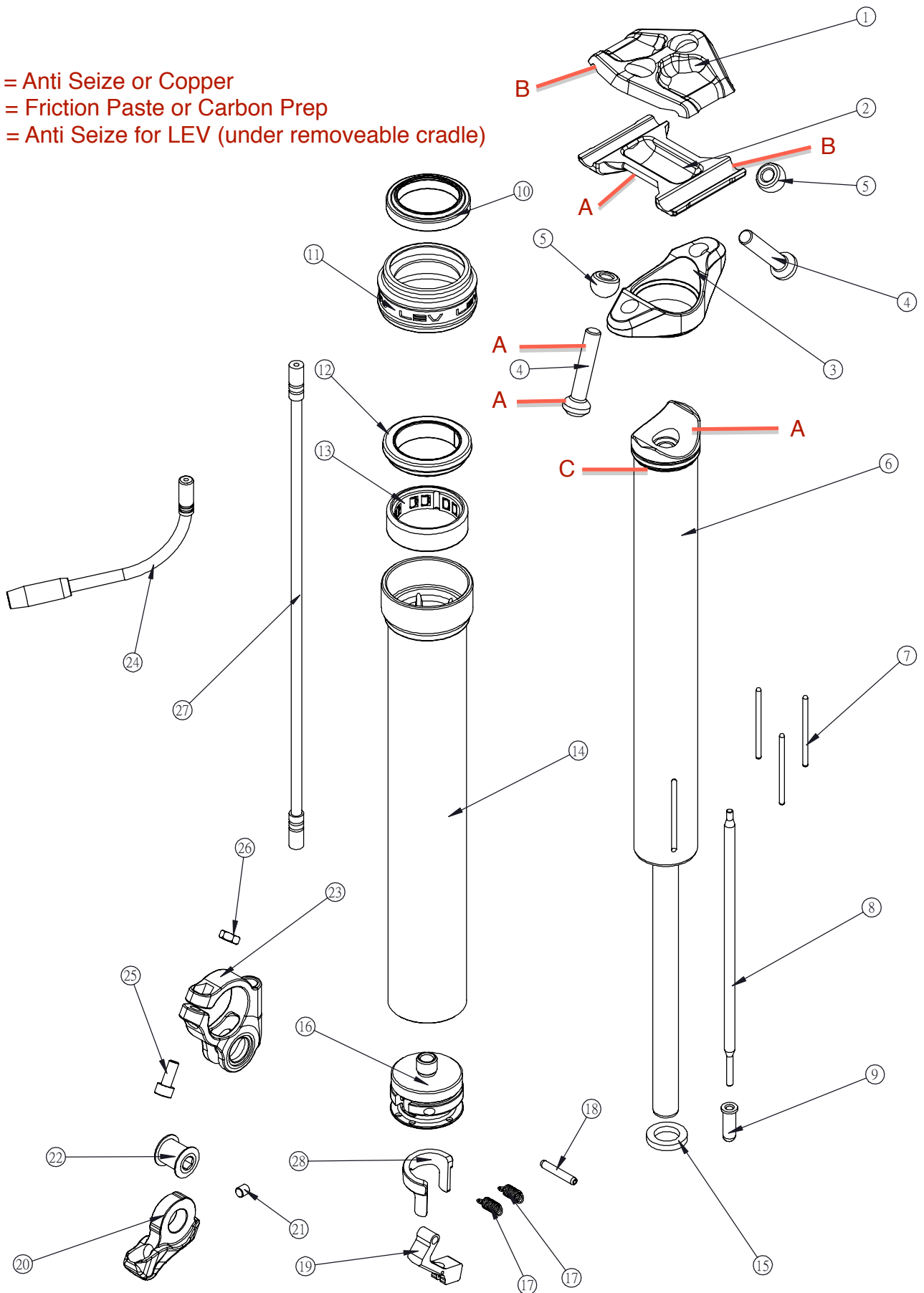


A = Anti Seize or Copper  
 B = Friction Paste or Carbon Prep  
 C = Anti Seize for LEV (under removeable cradle)



Model:LEV integra

版次:a0